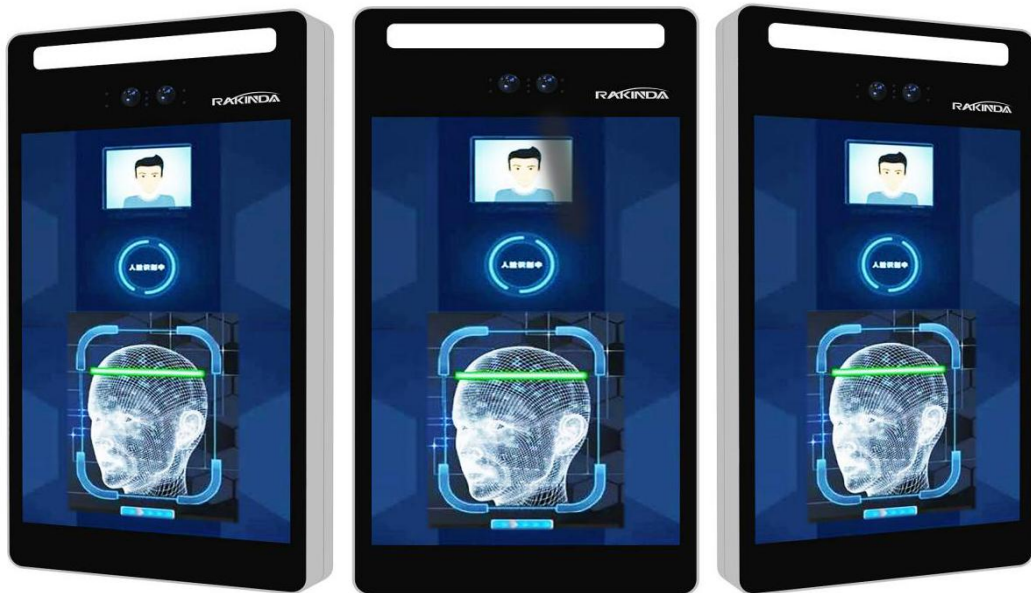


# Facial Reader Terminal F5 Datasheet



## Applications

Applicable to office areas, hotels, access gates, office buildings, schools, shopping malls, shops, communities, public services and management projects, etc. where face access is required.

## Product Features

- Dynamic detection to solve the deception of various photos on various carriers;
- Nighttime infrared, RGB fill light;
- Support external QR code scanner and ID card reader;
- Support RS232 serial port, Wiegand 26 output, output content support configuration;
- Adopt dynamic face detection and tracking recognition algorithm based on video stream;
- Support the local storage of 10,000 people in the device;

Recognition speed is fast:

- (a) Face tracking and detection takes about 20ms
  - (b) Face feature extraction takes about 200ms
  - (c) In vivo detection of face matching time 0.6ms (1000 people library, multiple recognition average), 0.8ms (10000 people library, multiple recognition average)
- Support the deployment mode of public network and local area network;
  - Supports HTTP interface interfacing;
  - Support screen display content configuration;

## Facial Reader Terminal F5

Model Name		F5			
Screen	Size	8", full viewing angle, 170° IPS LCD			
	Resolution	800*1280			
Camera	Type	RGB	IR Sensor		
	Resolution	2 million pixels	1.3 million pixels		
	Aperture	F2.8	F2.8		
	Focal Length	3.2mm	3.2mm		
	White Balance	Automatic	Automatic		
	Wide Dynamic	Support	Support		
	Vertical Wide Angle				
		Horizontal Wide Angle			
Key Parameters	CPU		6 cores, 2.0GHz		
	Storage	RAM 2G, ROM 16G			
Accessories	Fill light	IR、LED fill light			
	Network module	Support wired, wireless (2.4GWi-Fi), wireless (USB external)			
Interface	USB port	USB2.0 1			
	RS232	RS232 , 2.5mm terminal block 2P			
	Relay output	2.5mm terminal block 3P			
	Weigand port	2.5mm terminal block 3P, support weigand 26			
	Wired network port	RJ45 Gigabit Network			
Function	Face Detection	Also supports detection and tracking 3 people			
	1: NFace recognition	Under the condition of misrecognition rate of three ten thousandths, the recognition accuracy rate is 99.7%.			
	Stranger detection	Support			
	Recognition	Support			

	distance configuration	
	UI interface configuration	Support
	Remote upgrade of equipment	Support
	Deployment method	Support public network, LAN use
Normal Parameter	Protection level	IP54
	Power	DC12V (±10%)
	Work temperature	-20°C~70°C
	Work humidity	10%~90 %
	Power consumption	22W MAX
	Installation method	Wall bracket installation, gate bracket installation
	Dimension	239.2mm*123.2mm*26.4mm
	Weight	≈1050g



## THREE BIG ADVANTAGES

Brushing the face is not only a way to open the door, but also the mainstream of future payments.

High  
Precision  
&  
Fast  
Recognition

Binocular  
Camera

Multi-system  
with Mass  
Storage Space

## 99.99% Accurate Recognition Dynamic Face Detection Based on Video Stream

Dynamic Face Detection, Tracking Recognition Algorithm 2 Million  
HD Binocular Live Detection Camera, Ultra-long Detection  
Distance of 0.35-1.5 Meters

**< 0.5S**

Super Speedy  
Identification

**≤ 0.1%**

Rejection Rate

**≤ 0.001%**

False Rate



## Large Capacity & Strongest Configuration Support Equipment to Store 15,000 Face Database Locally

Support Online, Offline Scene and Remote Data Entry Optional (Built-in or External 4G Communication Module)



## Nighttime Infrared, No Fear Under Dark Light with Fast Recognition

Night Infrared, RGB Double Fill Light, Completely Solve All Kinds of Photos on Various Carriers Accurate Recognition in Seconds, Whether It Is Extremely Darker Extremely Bright with Seconds Speed Feedback





## Support Multiple Ways to Verify

In Addition to Face Recognition, Support for External QR Code Scanner  
ID Card Reader  
One Machine Solves All Verifications, Efficient & Accurate



QR CODE SCANNER



ID CARD READER

Multi-purpose for One Machine, Wall  
Bracket Mounting & Gate Bracket Mounting  
is Optional

## Multi-scenario Applications

Applicable to office areas, hotels, access gates, office buildings,  
schools, shopping malls, shops, communities, public services  
and management projects, etc.



Shopping Mall Turnstile



Community Entrance



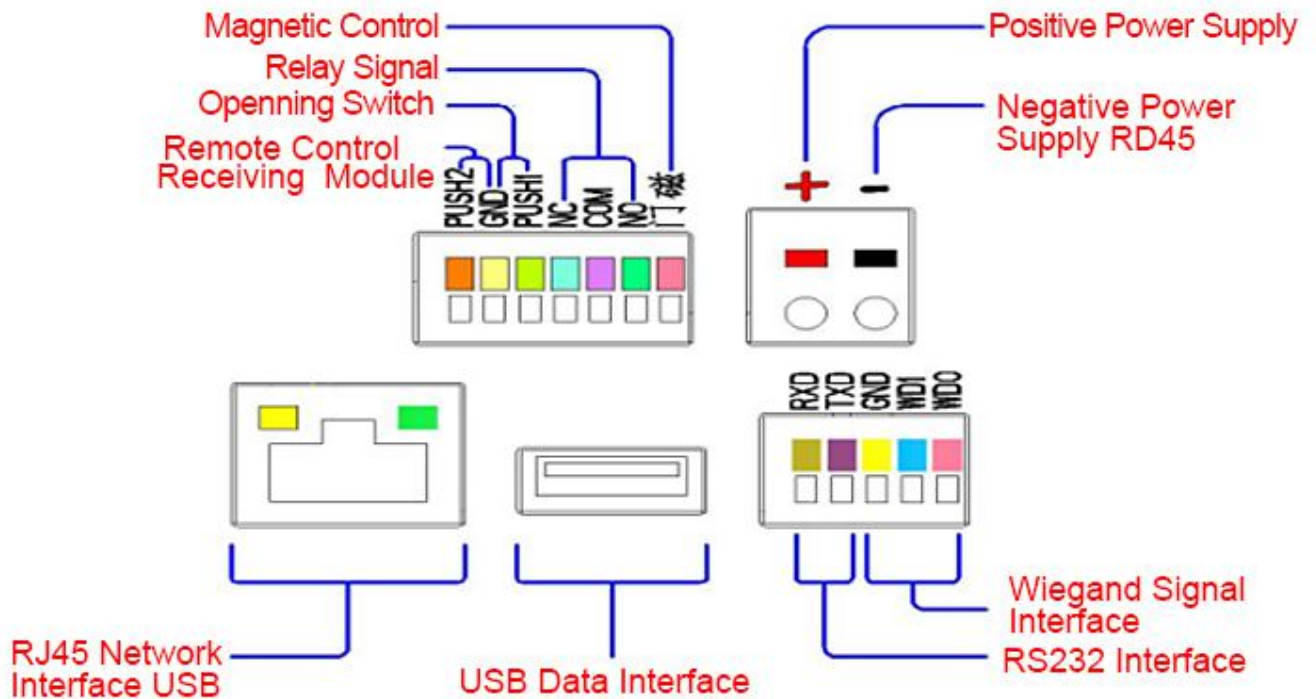
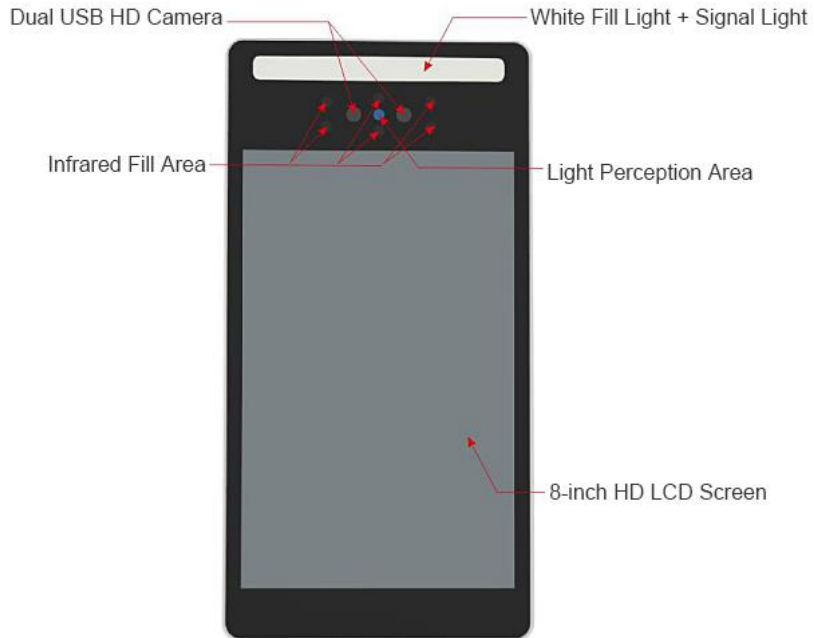
Company Office Door



Building Turnstile

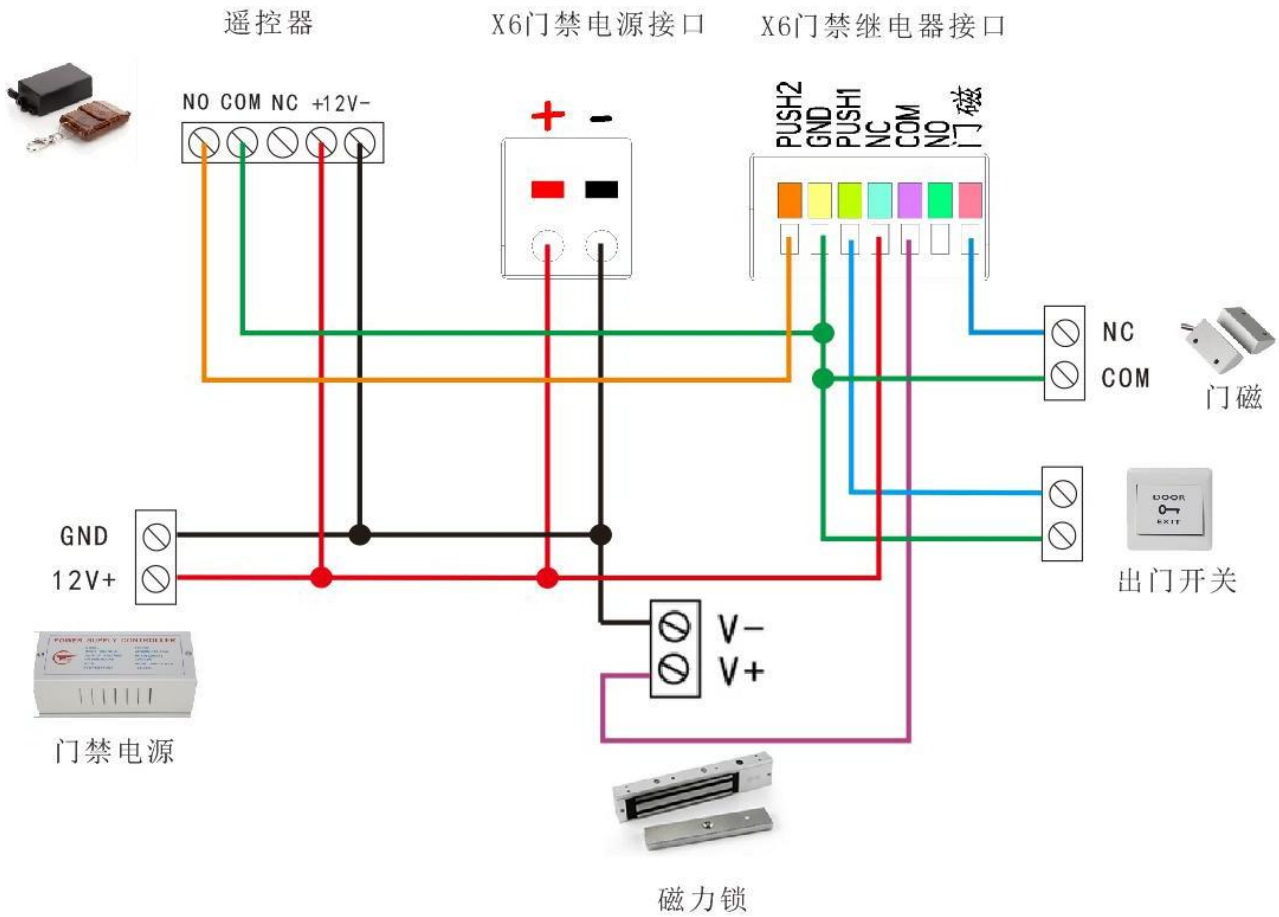
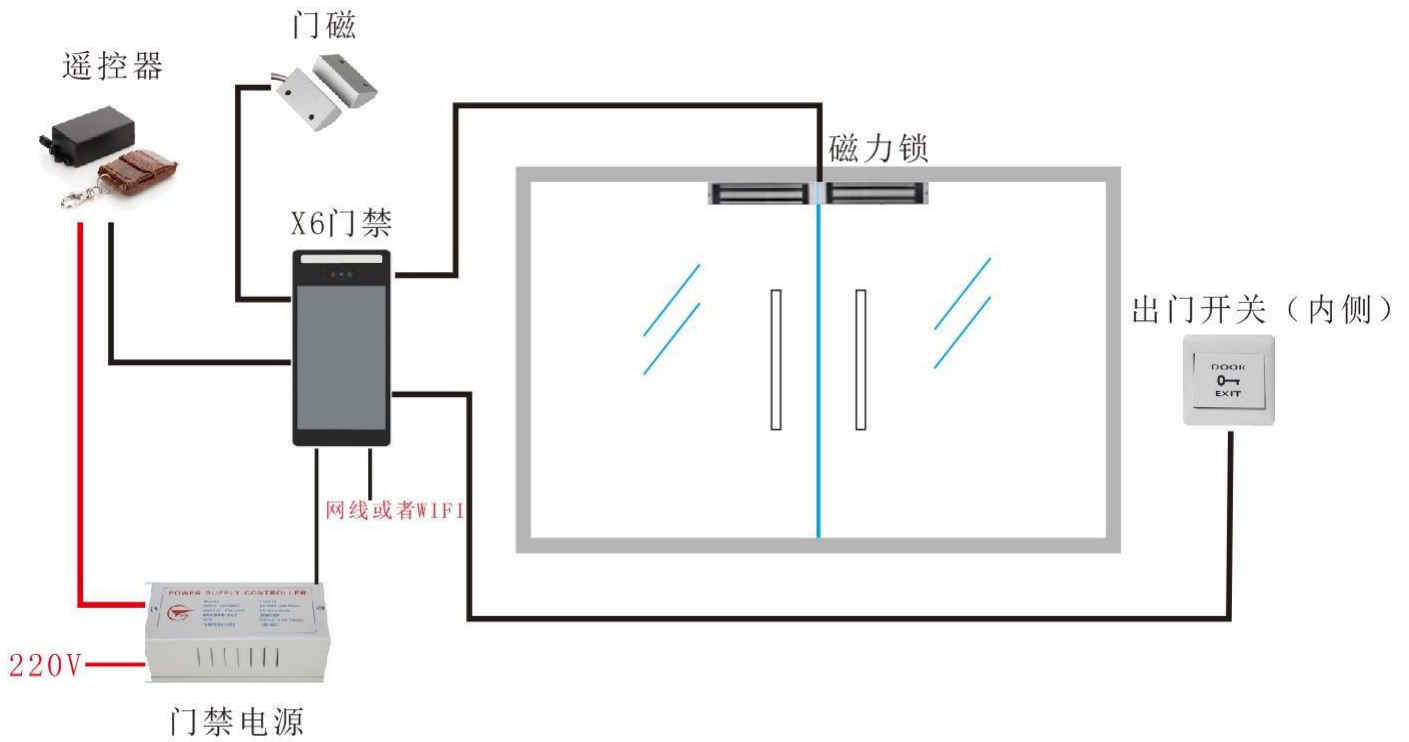
Outline drawing and wiring port definition

## Interface Introduction

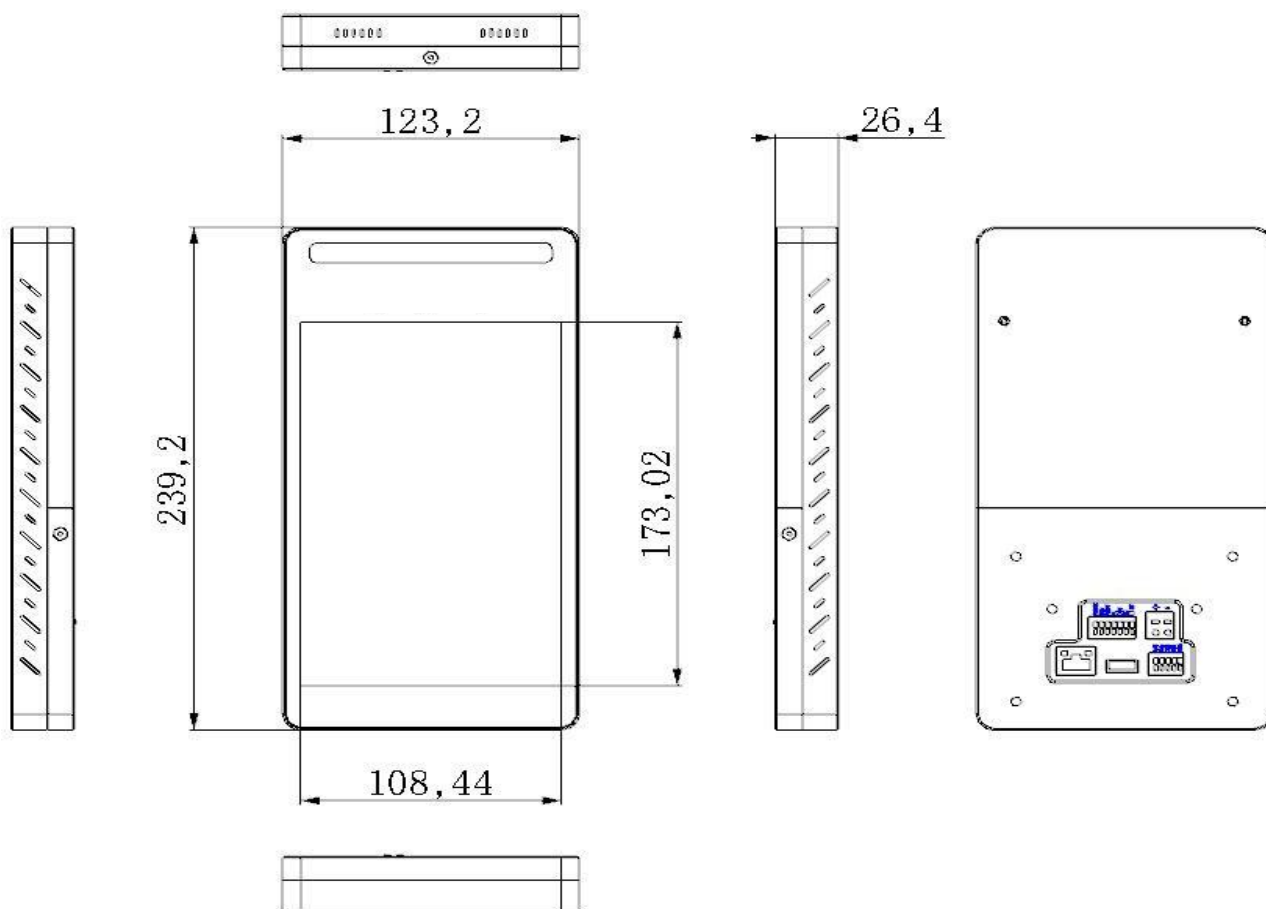


Magnetic door system wiring diagram

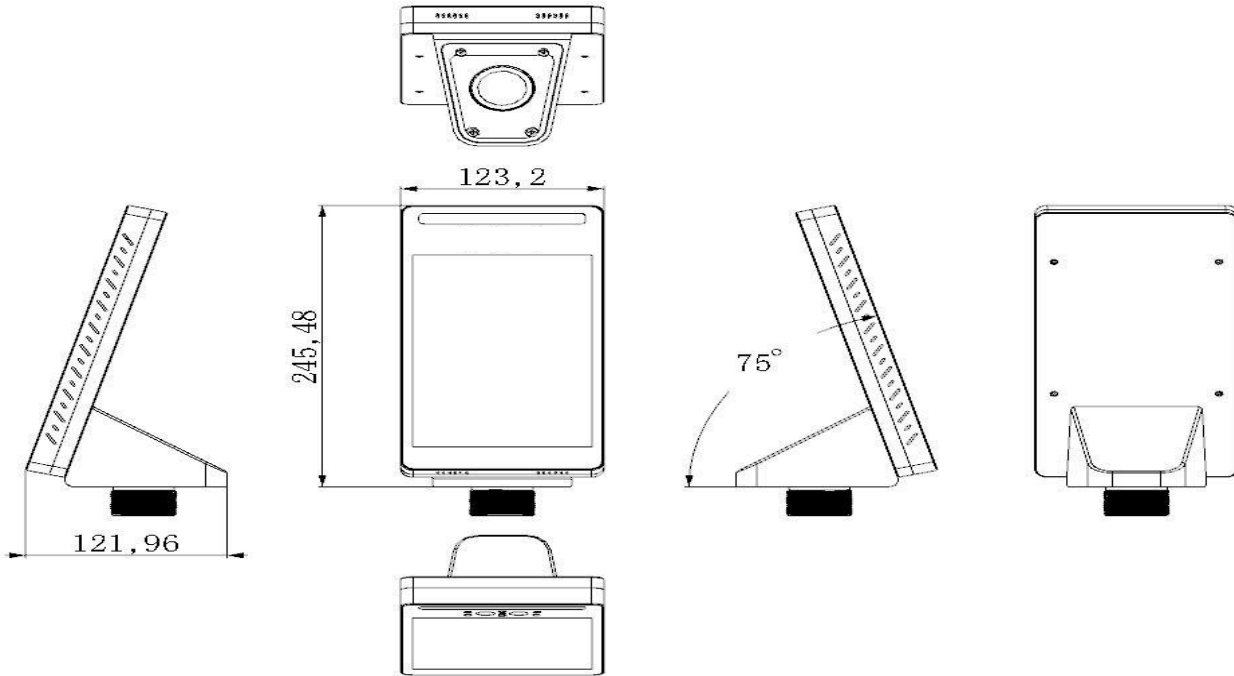




## Dimensions



Fixing method and opening size



The opening has a circular diameter of 42 and is screwed to the screw base.

